

12

EUROPEAN PATENT APPLICATION

21 Application number: 89202768.1

91 Int. Cl.5: H03K 3/023, H03F 1/02

22 Date of filing: 03.11.89

30 Priority: 07.11.88 NL 8802719

43 Date of publication of application:
16.05.90 Bulletin 90/20

84 Designated Contracting States:
CH DE FR GB IT LI

71 Applicant: N.V. Philips' Gloeilampenfabrieken
Groenewoudseweg 1
NL-5621 BA Eindhoven(NL)
84 DE FR GB IT

Applicant: FASELEC A.G.
Räffelstrasse 44
CH-8045 Zürich(CH)
84 CH LI

72 Inventor: Thommen, Werner Felix
c/o INT. OCTROOIBUREAU B.V. Prof.
Holstlaan 6
NL-5656 AA Eindhoven(NL)

74 Representative: Strijland, Wilfred et al
INTERNATIONAAL OCTROOIBUREAU B.V.
Prof. Holstlaan 6
NL-5656 AA Eindhoven(NL)

54 Delay-controlled relaxation oscillator with reduced power consumption.

57 A capacitance (10) in an oscillator is alternately charged and discharged. The change-over from charging to discharging is controlled by means of a comparator (22) which compares a capacitance voltage (20) with a reference voltage (V_{ref}). The oscillator comprises switching means (40, 42) for switching the power supply for the comparator from a power supply mode into a stand-by mode between two change-overs.

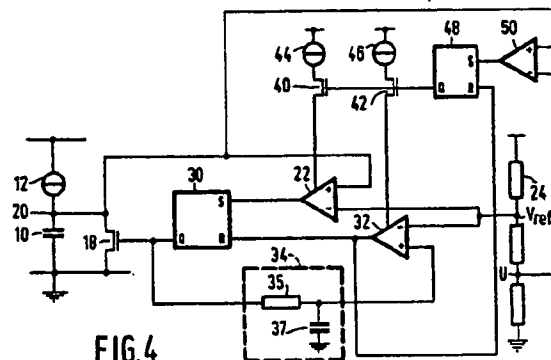


FIG.4

Best Available Copy

EP 0 368 398 A1